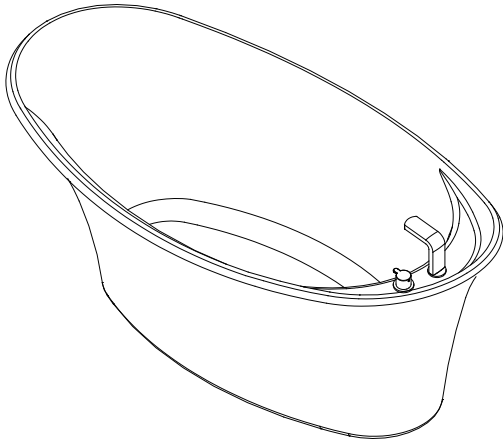


## 产品安装说明书

## PRODUCTS INSTALLATION INSTRUCTIONS



### 产品说明

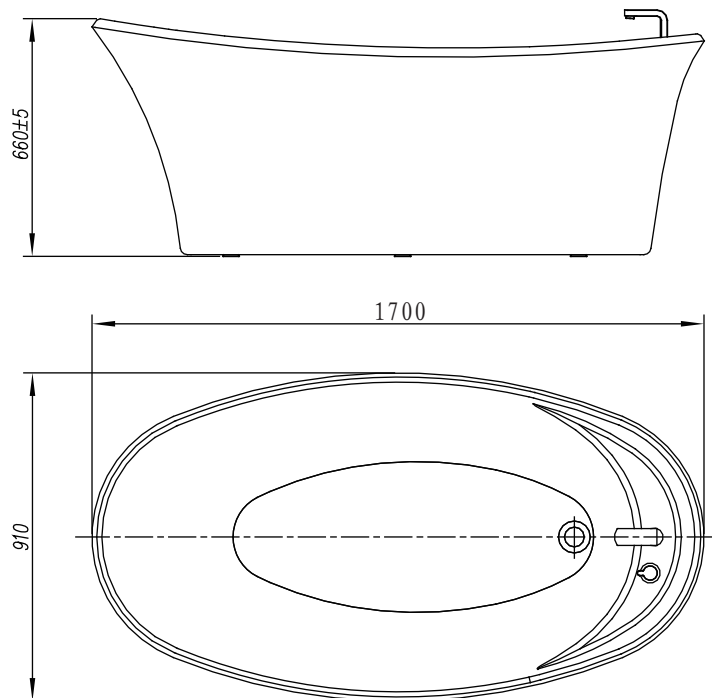
#### PRODUCT DESCRIPTION

- 规格: 1700X910X660mm
- 产品材料: 亚克力
- 满水容量为252升 (至溢水口)
- 本产品只提供白色
- 执行标准: JC/T 779-2000
- Dimensions: 1700X910X660mm
- Material: Acrylic
- Full water volume is 252L (up to overflow outlet)
- Only white color available
- Standard: JC/T 779-2000

## A 安装尺寸图

### INSTALLATION DIMENSION

单位: mm  
Unit: mm



## B 备用工具 HELPFUL TOOLS

扳手  
Adjustable Wrench



墨斗与铅笔  
Marking Gauge and Pencil



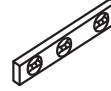
卷尺  
Tape Measure



防霉中性硅胶  
Neutral Mildew Resistant  
Silicone Sealant



水平尺  
Level



防护眼镜  
Safety Glasses



## C 安装注意事项 POINTS FOR ATTENTION BEFORE INSTALLATION

- 1、安装前，请仔细阅读本手册，并正确施工。
- 2、请按本说明书内记载的方法施工。擅自变更施工方法所引起的不良后果，本公司将不负责所引起之损失。
- 3、按摩缸安装要求高，请专业人员施工。

### 检查

- (1) 在您收到浴缸打开包装箱后，检查开关和所有的配件是否完好。
- (2) 请检查浴缸表面是否有任何撞击或破损的现象。
- (3) 请检查管道口是否紧密牢固。

### 安装注意事项

- (1) 我们建议您为了方便维修和清洁，请将浴缸安装在瓷砖已经贴好的台面和地砖已经贴好的地坪上。
- (2) 将墙、地砖的工程完全结束后，再将浴缸从包装箱中取出进行安装。
- (3) 施工过程中，请不要将浴缸表面的保护膜撕开。
- (4) 施工时，严禁将灯泡，明火置于浴缸内。
- (5) 施工时，严禁在浴缸内存放置黄沙，水泥及其它容易损坏缸体表面的杂物。
- (6) 施工时，严禁向浴缸内倾倒油漆，胶水等溶剂。

1. Please read the instruction carefully before beginning to install.
2. Please follow steps in the instruction to install this product or may result in costly mistake. Bravat shall not be responsible for any loss from that mistake.
3. Professional help is required for installation of this product.

### Inspection

- (1) Check and ensure all switch and accessories are in good condition.
- (2) Check and ensure bathtub surface is free of hit and damage.
- (3) Check and ensure pipe connection is firm and compact.

### Attention points at Installation

- (1) To facilitate maintenance and clean, we recommend to install bathtub on finished floor with ceramic tile or terrace with ground tile.
- (2) DON'T take bathtub out of package for installation until wall and floor preparation finished.
- (3) DON'T remove the protective tape and film of bathtub during installation.
- (4) NO bulbs and open fires are allowed to place in bathtub during installation.
- (5) NO stuff like sand, cement or other sundries are allowed to place in bathtub as that may likely damage bathtub surface.
- (6) NO solvent like paint or glue are allowed to contact with bathtub.

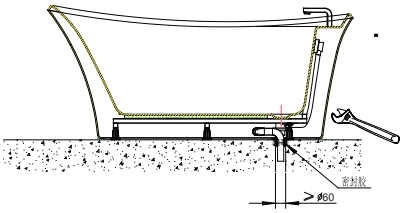
## D 安装步骤 INSTALLATION STEP

**1**

安装施工前，请在地面上布施下水管道，冷热进水管。图中冷热水管的尺寸，请按具体施工时浴缸边缘距墙面的距离确定。  
(注：下水管需突出地面30mm)

Please embed drainage lines, hot and cold water inlet pipe, according to distance from bathtub rim to finished wall.  
(Drainage outlet should be 30mm protruding from finished floor)

2



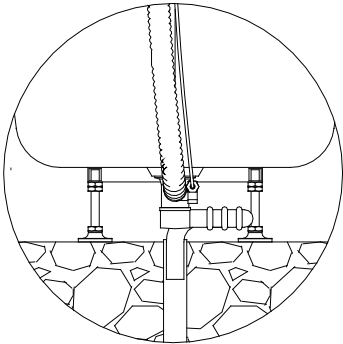
将浴缸放在合适的位置  
调整浴缸底部可调支撑脚使浴缸达到水平位置。最后旋紧螺母,就可以固定浴缸的高度。

Locate the bathtub in the suitable position  
Adjust the feet under the bathtub to make it level.  
Tighten the nut to fix the height of the bathtub.

注意: 浴缸必须水平安装。底层地板必须水平。不得有凹凸不平的现象。

IMPORTANT:  
The bathtub must be installed level. Floor should be flat, level and free of any bumps or protrusions.

3



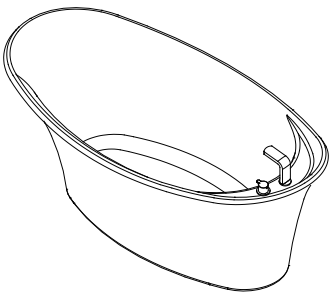
#### 安装排水管

将浴缸放到安装位置适当倾斜缸体把底部排水管插入预留好的下水孔内,下水孔应离浴缸排水阀200-300mm。

#### Installing the drain

Put the bathtub on the installation location. Tilt the bathtub properly and drain pipe at the bottom should be inserted into preformed drain hole which should be 200-300mm away from drainage valves.

4



#### 完工清理

在安装完成后小心去除产品保护膜;进行清理时,请勿使用磨损性的清洁用具。最后在浴缸外底部与地面连接处用中性玻璃胶均匀的填上一圈待固化使浴缸定位。

#### Cleaning after complete installation

When installation is completed, remove the protective film from the product with caution; do not use abrasive cleaning tools to clean. At last, between the exterior bottom of bathtub and the ground, use neuter glass glue to evenly seal round and the bathtub will be fixed after solidification.

## **E** 维护与保养 MAINTENANCE

- 1、为使浴缸干净整洁，建议您在沐浴后，趁水刚放完而浴缸还没干的时候立即清洁浴缸，这时候很容易将肥皂、人体脂肪及污垢等清除，以免污垢粘在浴缸上干结后不便清洁。
- 2、在水质较硬的地区，由于水中钙的含量高，污垢粘在浴缸壁上会留下黄色的斑痕，所以请您经常清洁浴缸。
- 3、清洁时，使用柔软的布配以中性清洁剂或肥皂水清洗，然后将水份擦干。
- 4、严禁使用尖硬的物品或具有研磨作用的物品如去污粉等，清洁浴缸及护罩表面，因其可能腐蚀、划伤浴缸表面，从而降低表面光泽。
- 5、亚克力浴缸可以抵御绝大多数常用家用化学品的侵蚀，但仍应避免与油漆，油漆清除剂如氯仿和丙酮等强有机溶剂接触。如果它们与浴缸表面接触，将可能引起表面软化，溶化或龟裂。
- 6、严禁将燃着的烟头放在浴缸表面上，否则将留下燃烧的疤痕。
- 7、严禁将灯泡，明火放置在浴缸内，以免造成表面破损。

以下是对划伤的建议：

- (1) 如果浴缸表面有轻微的划伤或擦痕，可在划伤处喷上金属抛光剂或汽车抛光剂，用电动抛光机磨抛来重新获得光亮表面。
- (2) 如果是较深的划伤，可先使用2000 #水砂纸擦去划痕，然后用上述的方法来获得光亮表面。

## **F** 特别申明 SPECIAL STATEMENT

本产品说明书是根据最新产品资料编写而成，本公司遵循可持续发展策略，对产品的规格、性能等进行持续的改进，如有变更，恕不另行通知。（本公司保留此项解释权）

图示若与产品不符，请以实物为准。

1. Suggest to clean bathtub immediately after drainage complete, as soap, body fat and dirt are easy to be removed at the time before bathtub dry.
- 2.Suggest to clean bathtub frequently if using in high hard water area, where high calcium content in water would leave yellow spot after dirt attaching on bathtub surface.
- 3.Please use soft cloth with neutral cleaner or soap to clean bathtub, and then wipe its surface to dry.
- 4.No hard stuff or abrasive stuff like cleaning powder are allowed to clean bathtub, as that would corrode, scratch and dull bathtub surface.
5. Do not allow paint, paint remover like chloroform or any strong organic solvent like acetone in contact with any bath surfaces,or bathtub surface would be softened, melted or crackle.
6. Do not place flaming cigarette on bath or it would burn bathtub surface.
- 7.NO bulbs and open fires are allowed to place in bathtub lest bathtub surface is damaged.

Suggestion to remove scratch:

- (1) If scratch is slight, spray metal polish or car polish on scratch at first,and then use electric polishing machine to resume glossy surface.
- (2) If scratch is deep, use 2000# abrasive paper to remove scratch at first, and then use same method as (1) to resume glossy surface.

The products installation instruction is written in accordance with the latest product information, following the sustainable development strategy of the Company, to improve continually the produce's specification, performance etc.,subject to change without notice. (The Company reserves the right to interpret)

Attention: If the product is different from the drawing,please take the object as right.