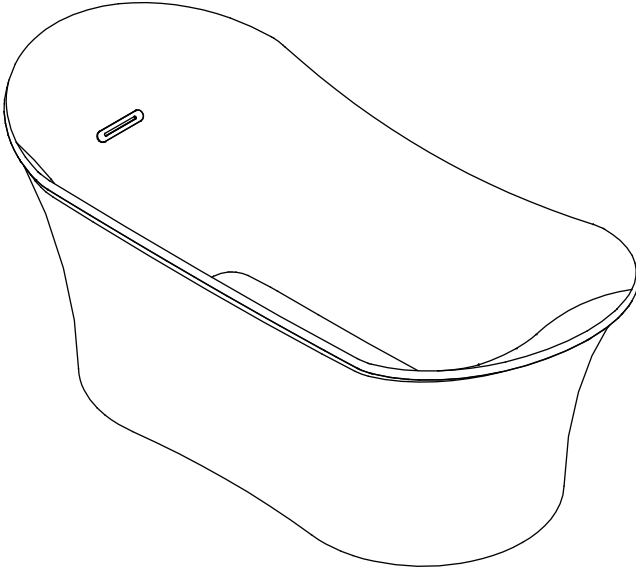


型号: B25733TW-5

品名: 1.7米浴缸

MODEL: B25733TW-5

Description: 1.7m bathtub



- 1、规格: 1700X760X680mm
- 2、产品材料: 亚克力
- 3、满水容量为: 210升 (至溢水口)

本产品只提供白色

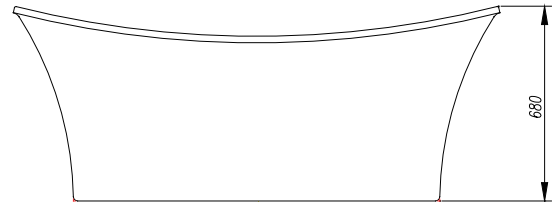
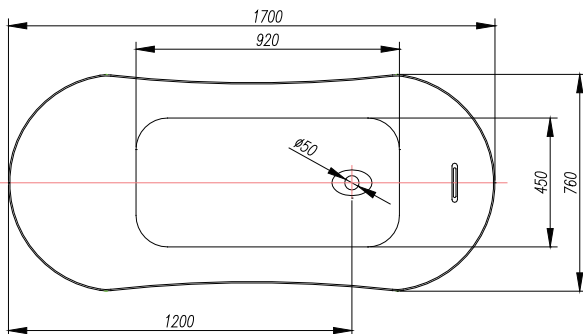
1. Dimensions: 1700X760X680mm
2. Material: Acrylic
3. Full water volume is: 210L (up to overflow outlet)
Only white color available

A

安装尺寸图

INSTALLATION DIMENSIONS

Unit:mm
单位:mm



B

备用工具

HELPFUL TOOLS

扳手
Adjustable Wrench

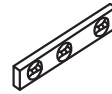
墨斗与铅笔
Marking Gauge and Pencil

卷尺
Tape Measure

防霉中性硅胶
Neutral Mildew Resistant
Silicone Sealant

水平的
Level

防护眼镜
Safety Glasses



C

注意事项

POINTS FOR ATTENTION BEFORE INSTALLATION

- 1、为了保证产品的质量，请您在安装前仔细检查产品的质量。如在安装后再提出与以下内容有关的质量问题，这将不包括在我们的责任范围内。
- 2、安装前，请仔细阅读本手册，并正确施工。
- 3、请按本说明书内记载的方法施工。擅自变更施工方法所引起的不良后果，本公司将不负责所引起之损失。
- 4、需请专业人员施工。

检查

- (1) 在正式安装前，请检查是否因运输造成浴缸漏水。检查所有的接口和配件是否漏水，渗水。
- (2) 请检查浴缸表面是否有任何撞击或破损的现象。

安装注意事项

- (1) 我们建议您为了方便维修和清洁，请将浴缸安装在瓷砖已经贴好的台面和地砖已经贴好的地坪上。
- (2) 为了便于安装和检修浴缸的排水系统，请不要将浴缸用水泥及瓷砖将其封死。
- (3) 施工过程中，请不要将浴缸表面的保护膜撕开。
- (4) 将墙，地砖的工程完全结束后，再将浴缸从包装箱中取出进行安装。
- (5) 施工时，严禁将灯泡，明火置于浴缸内。
- (6) 施工时，严禁在浴缸内存放黄沙，水泥及其它容易损坏缸体表面的杂物。
- (7) 施工时，严禁向浴缸内倾倒油漆，胶水等溶剂。

1. In order to avoid quality dispute, please kindly check product before installation. Or Bravat should not be liable for any quality issue raised after installation.
2. Please read the instruction carefully before beginning to install.
3. Please follow steps in the instruction to install this product or may result in costly mistake. Bravat shall not be responsible for any loss from that mistake.
4. Professional help is required for installation of this product.

Inspection

- (1) Before starting installation, check and ensure bathtub, are free of leaks that may occur during delivery.
- (2) Check and ensure bathtub surface is free of hit and damage.

Attention points at Installation

- (1) To facilitate maintenance and clean, we recommend to install bathtub on finished floor with ceramic tile or terrace with ground tile.
- (2) To facilitate install and maintenance bathtub's key parts like drainage system, DON'T wall up bathtub with cement or tiles.
- (3) DON'T remove bathtub protecting film during installation.
- (4) DON'T take bathtub out of package for installation until wall and floor preparation finished.
- (5) NO bulbs and open fires are allowed to place in bathtub during installation.
- (6) NO stuff like sand, cement or other sundries are allowed to place in bathtub as that would likely damage bathtub surface.
- (7) NO solvent like paint or glue are allowed to contact with bathtub.

D

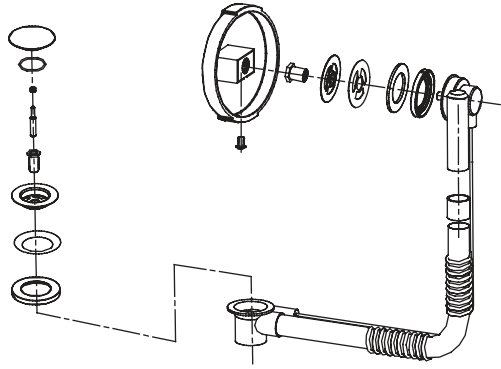
安装信息

INSTALLATION INFORMATION

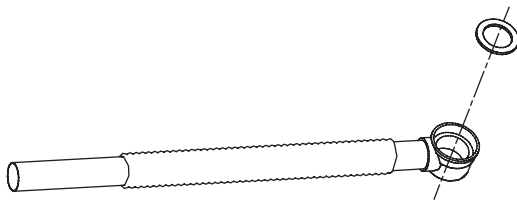
- 1、浴缸底部的地板必须足以支撑1000公斤以上的重量。
- 2、热水供水应达到浴缸最大容量的70%或以上。
- 3、请仔细了角安装尺寸图上的浴缸尺寸及水泵的具体位置，并与浴缸实物对比，以确定准确的安装尺寸。
- 4、检查安装尺寸及浴室尺寸，确保有充分的空间安装浴缸。
- 5、请确保安装浴缸地板的水平。

1. The floor under the bottom of the bathtub must be able to support the weight of 1000 kg or above.
2. The hot water supply shall reach to 70% of the maximum volume of the bathtub or above.
3. Please carefully refer to the bathtub size and actual positions of the water pump in the installation dimension diagram and compare them with the actual bathtub to determine the accurate installation dimensions.
4. Check the installation dimensions and bathroom dimensions and ensure there is sufficient space to install the bathtub.
5. Make sure that the floor for installing the bathtub is at a level.

6、去水器的安装：依浴缸去水器的安装说明书将去水器安装在浴缸上。下图是推荐使用的我司浴缸去水器D409系列的安装图例。



7、安装排水管：依排水管的安装说明书将排水管安装在浴缸上。下图是推荐使用的我司排水管P9098N的安装图例。

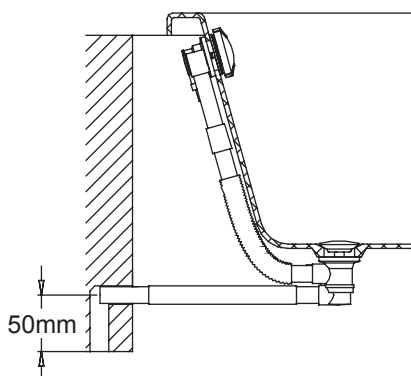


8、关闭排水，注水入浴缸，检查是否有渗漏。确保溢流接头处均不渗漏。

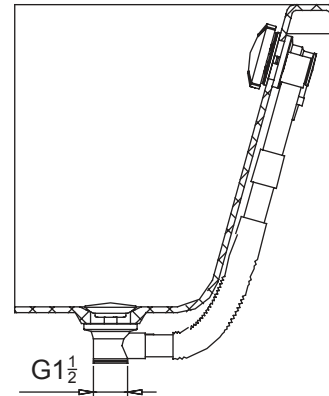
9、安装施工前，请参考安装尺寸图，在地面上布施下水管道，定位电源插座，冷热进水管。具体的施工请找专业水电工完成。

10、排水方式有墙排式和地排式两种：墙排式排水的去水管道水平高度切勿高于浴缸内部排水口的水平高度，一般建议离地面高度为50mm为宜。地排式排水的排水口建议定位在在离浴缸排水口半径120mm的圆线上为宜。（推荐使用地排式排水）

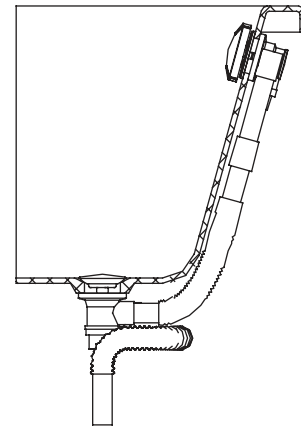
墙排式排水 Drainage through the wall



6. Installation of the drainers: Install the drainers to the bathtub according to the installation instructions of the drainers. The figure below is the installation illustration recommended by our company specifically for the Drainer D409 series.



7. Installation of drain pipes: Install the drain pipes to the bathtub according to the installation instructions of the drain pipes. The figure below is the installation illustration recommended by our company for the Drain Pipe P9098N series.

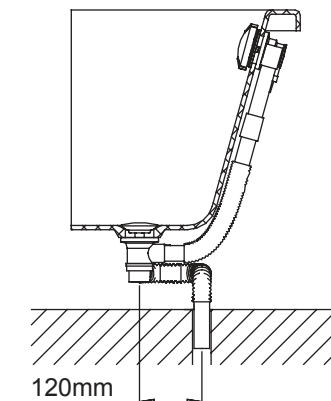


8. Switch off the water drainage, pour water into the bathtub, and then check whether there is water leakage. Make sure that the overflow adapter is leak-proof.

9. Before installation, please refer to the installation diagram. Lay water pipes on the floor, position the power outlet and hot/cold water inlet pipes. Please ask a professional plumber to complete the actual construction.

10. There are two kinds of drainage: drainage through the wall and drainage through the floor. If the drainage through the wall is used, the height of the drainer pipes must be lower than that of the internal drain outlet of the bathtub. The height is generally recommended to be 50 mm. If the drainage through the floor is used, the height of the drain outlet is recommended to be 120 mm above from the drain outlet. (Drainage through the floor is recommended.)

地排式排水 Drainage through the floor

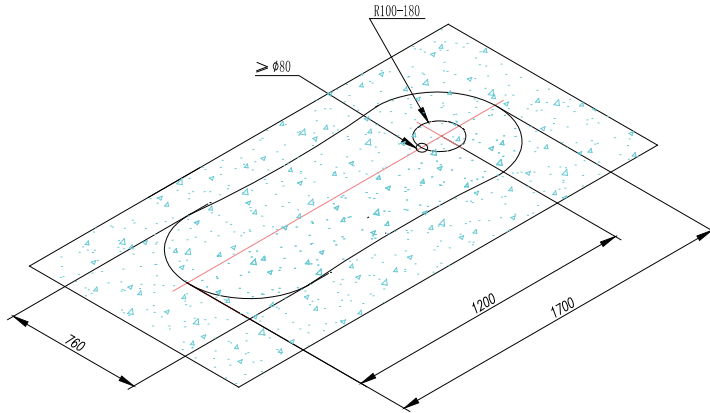


E

安装步骤

INSTALLATION STEP

- 1、安装施工前, 请在地面上布施下水管道。(注: 下水管需突出地面30mm) 1. Before installation, please construct water pipes under ground. (Drainage outlet should be 30mm protruding from finished floor)



- 2、调节浴缸支脚高度, 将浴缸上缘面调至水平, 同时所有支脚完全支撑在地面上。 2. Adjust leveling feet to keep top rims at horizon, and ensure all feet firmly seat on floor at same time.
- 3、连接管道, 连接龙头冷热水管、浴缸去水管、排水管。浴缸完全安装完毕后, 请用硅胶或者其它柔性密封剂将浴缸边与墙面接触之间的间隙密合。 3. Connect supply lines and drainage lines with bathtub, using silicone sealant or other soft sealants to seal the joints between the bath rim edges and deck.

F

维护与保养

MAINTENANCE

- 1、为使浴缸干净整洁, 建议您在沐浴后, 趁水刚放完而浴缸还没干的时候立即清洁浴缸, 这时候很容易将肥皂、人体脂肪及污垢等清除, 以免污垢粘在浴缸上干结后不便清洁。
- 2、在水质较硬的地区, 由于水中钙的含量高, 污垢粘在浴缸壁上会留下黄色的斑痕, 所以请您经常清洁浴缸。
- 3、清洁时, 使用柔软的布配以中性清洁剂或肥皂水清洗, 然后将水份擦干。
- 4、严禁使用尖硬的物品或具有研磨作用的物品如去污粉等, 清洁浴缸及护罩表面, 因其可能腐蚀、划伤浴缸表面, 从而降低表面光泽。
- 5、亚克力浴缸可以抵御绝大多数常用家用化学品的侵蚀, 但仍应避免与油漆, 油漆清除剂如氯仿和丙酮等强有机溶剂接触。如果它们与浴缸表面接触, 将可能引起表面软化, 溶化或龟裂。
- 6、严禁将燃着的烟头放在浴缸表面上, 否则将留下燃烧的疤痕。
- 7、严禁将灯泡, 明火放置在浴缸内, 以免造成表面破损。

以下是对划伤的的建议:

- (1) 如果浴缸表面有轻微的划伤或擦痕, 可在划伤处喷上金属抛光剂或汽车抛光剂, 用电动抛光机磨抛来重新获得光亮表面。
- (2) 如果是较深的划伤, 可先使用2000 #水砂纸擦去划痕, 然后用上述的方法来获得光亮表面。
- Suggestion to remove scratch:
- (1) If scratch is slight, spray metal polish or car polish on scratch at first, and then use electronic polishing machine to resume glossy surface.
- (2) If scratch is deep, use 2000# abrasive paper to remove scratch at first, and then use same method as (1) to resume glossy surface.



本产品说明书是根据最新产品资料编写而成，本公司遵循可持续发展策略，对产品的规格、性能等进行持续的改进，如有变更，恕不另行通知。（本公司保留此项解释权）

The products installation instruction is written in accordance with the latest product information, following the sustainable development strategy of the Company, to improve continually the produce's specification, performance etc., subject to change without notice. (The Company reserves the right to interpret)